



Your Reliable Power Partner

TS-1500^{series} inverter



فروشگاه اینترنتی *icsshop*



icsshop



icsshop.ir



www.icsshop.ir

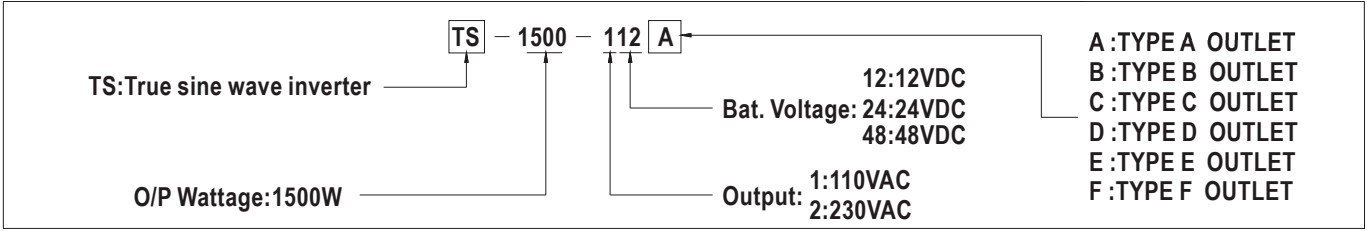


- ☒ Features :
 - True sine wave output (THD<3%)
 - High surge power up to 3000W
 - High efficiency up to 91%
 - Power ON-OFF switch
 - Standby saving mode can be selectable
 - Front panel indicator for operation status
 - Thermostatically controlled cooling fan
 - Protections: Bat. low alarm / Bat. low shutdown / Over voltage / Over temp. / Output short / Input polarity reverse / Overload
 - Application : Home appliance, power tools, office and portable equipment, vehicle and yacht ...etc.
 - Optional monitoring software
 - 3 years warranty



SPECIFICATION

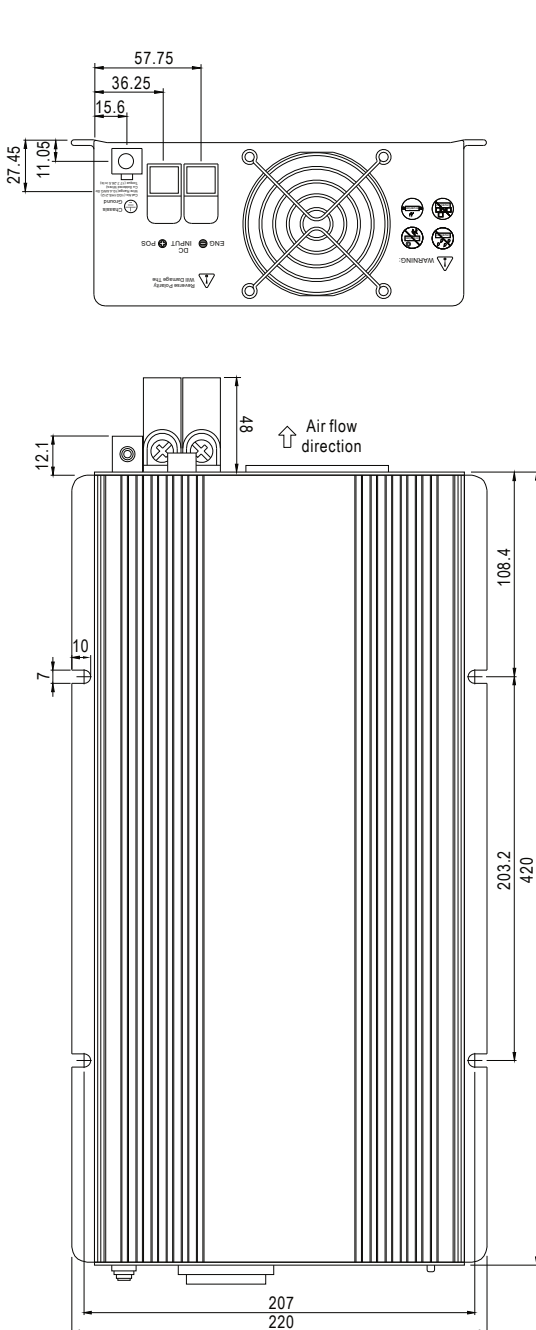
| MODEL | TS-1500-112 | TS-1500-124 | TS-1500-148 | TS-1500-212 | TS-1500-224 | TS-1500-248 | |
|---|---|---|-------------|---|--|-------------|------------|
| OUTPUT | RATED POWER (Typ.) 1500W | | | | | | |
| | MAXIMUM OUTPUT POWER (Typ.) 1725W for 180 sec. / 1875W for 10 sec. / surge power 3000W for 30 cycles | | | | | | |
| | AC VOLTAGE 100 / 110 / 115 / 120VAC selectable by setting button | | | 200 / 220 / 230 / 240VAC selectable by setting button | | | |
| | FREQUENCY 60± 0.1Hz 50/60Hz selectable by setting button S.W | | | 50± 0.1Hz 50/60Hz selectable by setting button S.W | | | |
| | WAVEFORM Note.2 True sine wave (THD<3%) | | | | | | |
| | AC REGULATION (Typ.) ± 3.0% | | | | | | |
| | SAVING MODE (Typ.) Default disabled. Load 5W will be changed to standby mode | | | | | | |
| FRONT PANEL INDICATOR Battery voltage level, output load level, saving mode, fault and operation status | | | | | | | |
| INPUT | BAT. VOLTAGE | 12V | 24V | 48V | 12V | 24V | 48V |
| | VOLTAGE RANGE (Typ.) Note.3,6 | 10.5 ~ 15VDC | 21 ~ 30VDC | 42 ~ 60VDC | 10.5 ~ 15VDC | 21 ~ 30VDC | 42 ~ 60VDC |
| | DC CURRENT (Typ.) Note.5 | 150A | 75A | 37.5A | 150A | 75A | 37.5A |
| | NO LOAD DISSIPATION (Typ.) | 18W @ standby saving mode | | | | | |
| | OFF MODE CURRENT DRAW | 1mA | | | | | |
| | EFFICIENCY (Typ.) Note.2 | 87% | 89% | 89% | 88% | 90% | 91% |
| BATTERY TYPES Open & sealed Lead Acid | | | | | | | |
| BATTERY INPUT PROTECTION | FUSE | 40A*5 | 30A*3 | 30A*2 | 40A*5 | 30A*3 | 30A*2 |
| | BAT. LOW ALARM | 11.3± 4% | 22.5± 4% | 45± 4% | 11.3± 4% | 22.5± 4% | 45± 4% |
| | BAT. LOW SHUTDOWN | 10.5± 4% | 21± 4% | 42± 4% | 10.5± 4% | 21± 4% | 42± 4% |
| | REVERSE POLARITY | By internal fuse open | | | | | |
| OUTPUT PROTECTION | OVER TEMPERATURE | 82± 5 | 82± 5 | 96± 5 | 68± 5 | 68± 5 | 68± 5 |
| | OUTPUT SHORT | Protection type : Shut down o/p voltage, re-power on to recover; by internal RTH3 detect on heatsink of power transistor | | | | | |
| | OVER LOAD (Typ.) | 105 ~ 115% load for 180 sec., 115% ~ 125% load for 10 sec. Protection type : Shut down o/p voltage, re-power on to recover | | | | | |
| | GFCI PROTECTION | UL458 (only for "GFCI" receptacle-Type F) | | | None | | |
| ENVIRONMENT | WORKING TEMP. Note.1 | 0 ~ +40 @ 100% load ; 60 @ 50% load | | | | | |
| | WORKING HUMIDITY | 20% ~ 90% RH non-condensing | | | | | |
| | STORAGE TEMP., HUMIDITY | -30 ~ +70 / -22 ~ +158°F, 10 ~ 95% RH non-condensing | | | | | |
| | VIBRATION | 10 ~ 500Hz, 3G 10min./1cycle, 60min. each along X, Y, Z axes | | | | | |
| SAFETY & EMC | SAFETY STANDARDS | UL458 (only for "GFCI" receptacle-Type F), EAC TP TC 004 | | | EAC TP TC 004 | | |
| | LVD | None | | | EN60950-1 | | |
| | WITHSTAND VOLTAGE | Bat I/P - AC O/P:3.0KVAC AC O/P - FG:1.5KVAC | | | | | |
| | EMC EMISSION | Compliance to FCC class A, EAC TP TC 020 | | | Compliance to EN55032 class B, 72/ 245/ CEE, 95/ 54/ CE, E-Mark, EAC TP TC 020 | | |
| | EMC IMMUNITY | Compliance to EAC TP TC 020 | | | Compliance to EN61000-4-2,3,8, EAC TP TC 020 | | |
| OTHERS | CONTROL WIRING | RJ11 -RS232 (Option) | | | | | |
| | DIMENSION | 420*220*88mm (L*W*H) | | | | | |
| | PACKING | 6.81Kg; 2pcs/14.6Kg/1.61CUFT | | | | | |
| NOTE | 1.Output derating capacity referenced by curve 1. 2.THd and Efficiency is tested by 1000W, linear load at 13V, 26V, 52V input voltage. 3.Input derating capacity referenced by curve 2. 4.All parameters not specified above are measured at rated load, 25 of ambient temperature and set to factory setting. 5.DC current is tested by 1500W, linear load at 13V, 26V, 52V input voltage. 6.The tolerance of each voltage value by models is:112/212± 0.5V;124/224± 1V;148/248± 2V. 7.Please do not turn on the inverter before start the engine if inverter connect to vehicle's battery directly. 8.The ambient temperature derating of 3.5 /1000m with fanless models and of 5 /1000m with fan models for operating altitude higher than 2000m(6500ft). | | | | | | |



AC Output Receptacles (optional)

| Receptacle type | TYPE-A | TYPE-B | TYPE-C | TYPE-D | TYPE-E | TYPE-F |
|-----------------|--------|--------|-----------|--------|--------|------------------------------------|
| Country | USA | EUROPE | AUSTRALIA | U.K | JAPAN | GFCI |
| Certificate | FC | E13 CE | E13 CE | E13 CE | FC | UL US FC (Except for 48V input) |

Mechanical Specification



Derating Curve

